

## M1-2A Push-to-Close Knob Latch

Pull-to-open

### Features

- Single, round-hole installation
- Flush pop out knob
- Corrosion-resistant materials

### Accessories

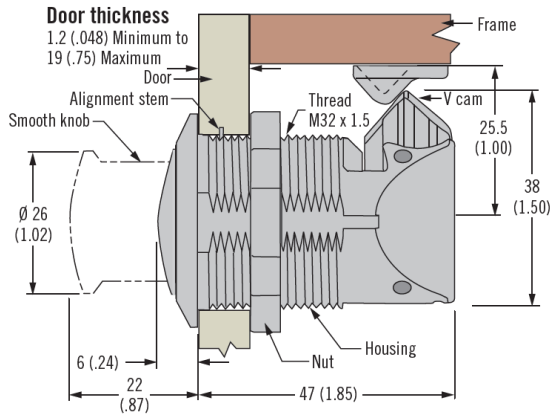
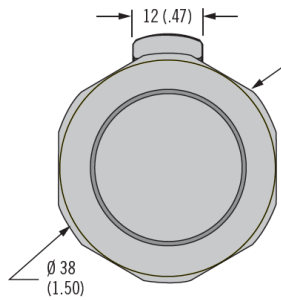
- Replacement keeper: M1-2A-9-105-41

### Material

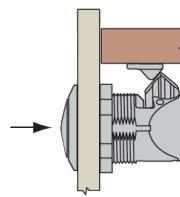
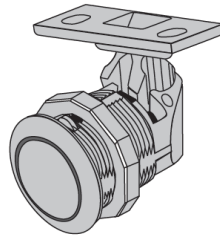
- PC/ABS, black, chrome plated or gold colored PVD

### Product Performance

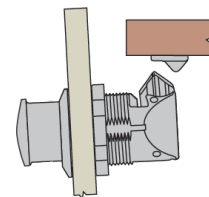
- Maximum working load: 310 N
- Operating temperature range: -30 °C to 60 °C
- Flammability rating: UL94-HB
- Maximum tightening torque on mounting nut: 4.2 N.m



Closed

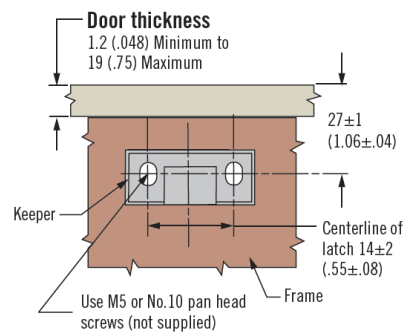
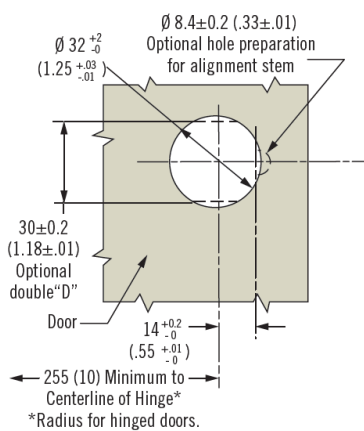


Push To Pop Out Knob

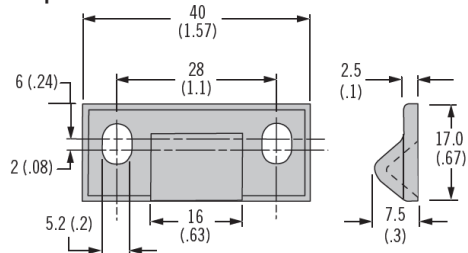


Pull Knob To Open

### Installation



### Keeper



Finish	Part Number
Chrome	M1-2A-15-1
Black	M1-2A-15-5
Gold	M1-2A-15-8